

[54] ULTRASONIC CLEANER

D. 219,167 11/1970 Rissolo D32/1
D. 261,423 10/1981 Geissler D32/1
3,799,179 3/1974 Thomas 134/102

[75] Inventors: William Weirsman, Woodbridge;
Peter D. Spaine, Stratford; Tomasz
Migurski, New Haven; George
Rahgo, Milford, all of Conn.

Primary Examiner—A. Hugo Word
Assistant Examiner—Ruth McInroy
Attorney, Agent, or Firm—Polster, Polster and Lucchesi

[73] Assignee: Branson Ultrasonics Corporation,
Danbury, Conn.

[57] CLAIM

[**] Term: 14 Years

The ornamental design for an ultrasonic cleaner, as shown and described.

[21] Appl. No.: 858,248

DESCRIPTION

[22] Filed: Apr. 28, 1986

FIG. 1 is a perspective view taken from the top, front and right side of an ultrasonic cleaner showing our new design;

[52] U.S. Cl. D32/1

[58] Field of Search D32/1, 35; 134/102,
134/90, 117-118; 366/127, 128, 600

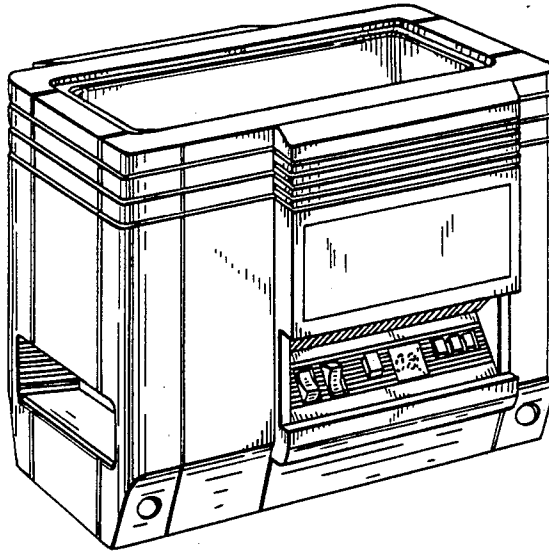
FIG. 2 is a left side elevational view thereof;
FIG. 3 is a rear elevational view thereof, and
FIG. 4 is a bottom plan view thereof.

[56] References Cited

U.S. PATENT DOCUMENTS

D. 204,306 4/1966 Hamm D32/1

The electric cord is shown in broken lines in FIG. 4 for illustrative purposes only and forms no part of the claimed design.



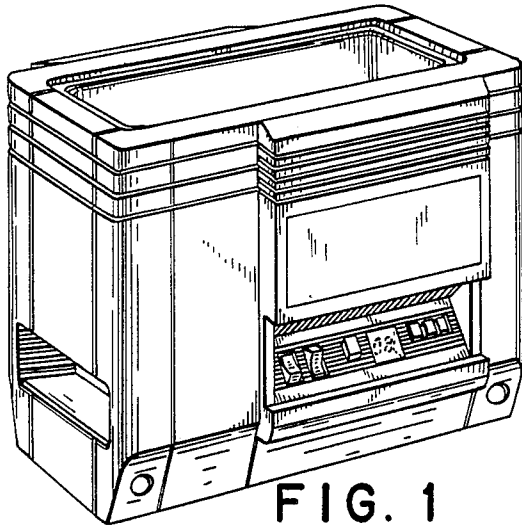


FIG. 1

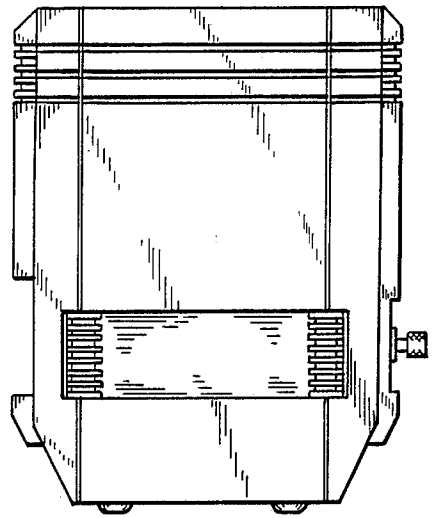


FIG. 2

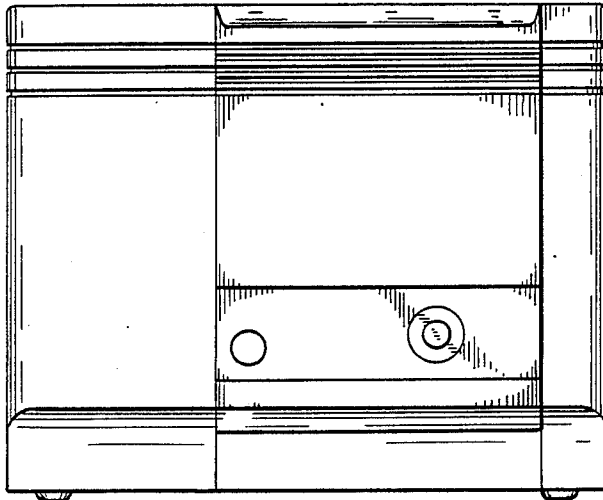


FIG. 3

FIG. 4

